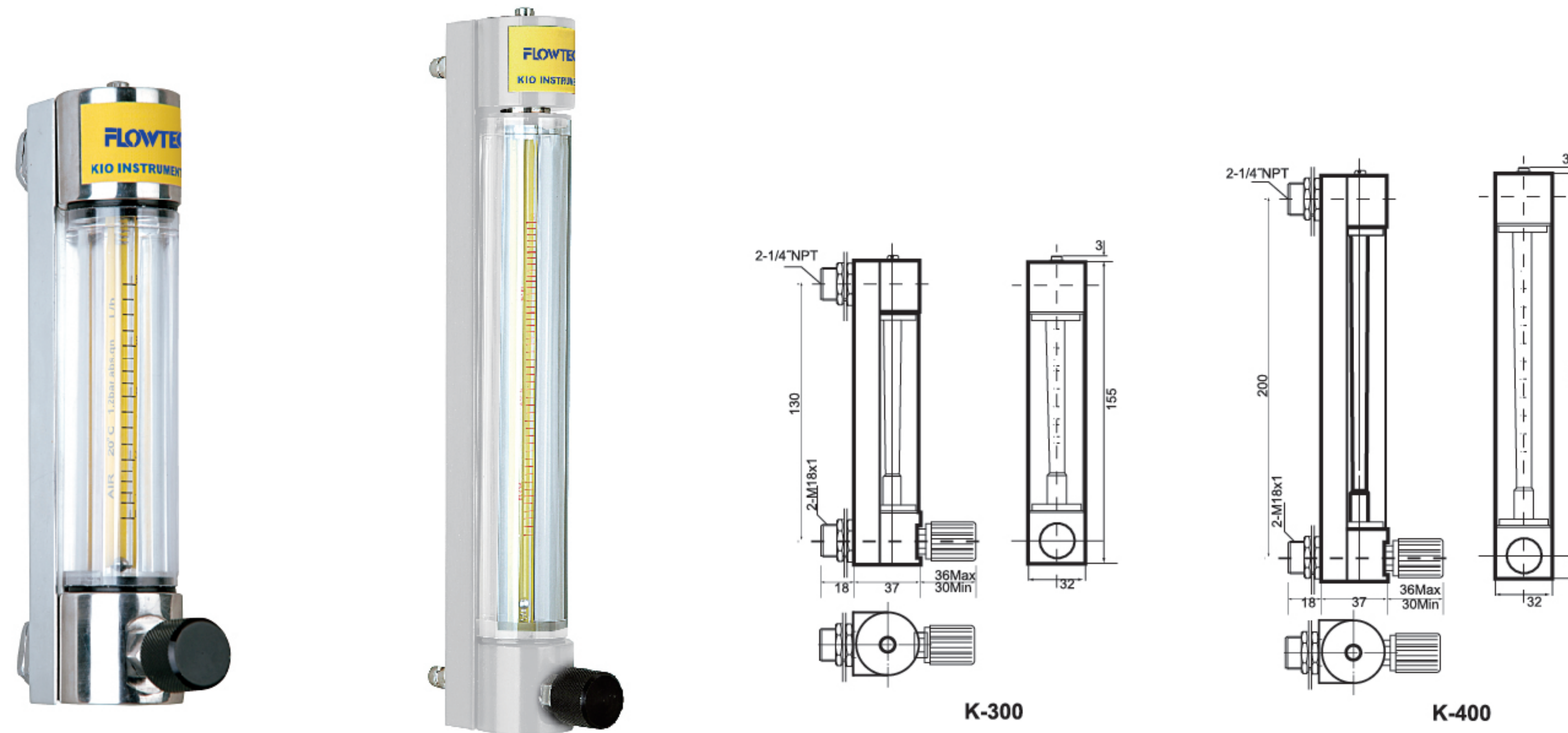


The Series K300/K400 Glass Rotameter

The transparent glass cover has a reading magnification function and can be rotated 360°



The Series K300/K400 Glass Rotameter is a variable area flowmeter. Its measuring tube is made of transparent glass. When fluid flows through the tube, the float suspends under the action of hydrodynamic force and its own gravity. The greater the fluid flow rate, the higher the float rises. The flow value can be directly read from the float's position. With excellent chemical compatibility, it becomes a preferred tool for laboratory, food & pharmaceutical, and small-to-medium flow measurement applications. Its lightweight design and easy-to-observe features make it particularly advantageous in scenarios requiring visual operation.

SPECIFICATIONS	
Service	Compatible liquids or gases
Material	The wetted material is 304 stainless steel or aluminum alloy
Accuracy	±2.5%
Temperature Rating	304 stainless steel: ≤100°C; aluminum alloy: ≤60°C
Pressure Rating	≤0.6MPa
Connection	Multiple connection methods are available

FEATURES

- High measurement accuracy and good interchangeability
- The float rotates only with the fluid flow, featuring no mechanical wear, low maintenance costs, and a long service life. Lightweight and cost-effective
- Provides an economical solution for flow measurement
- Vertical installation without straight pipe sections
- Allows direct observation of fluid status and float position for easy reading

APPLICATIONS

- Pharmaceutical Industry
- Semiconductor Industry
- Food and Beverage Industry
- Urban Water Supply and Drainage
- Environmental Protection
- New Energy Industry
- Scientific research institution

Specifications

Model	Pipe Size DN	Measurement Range		Female thread	Weight (kg)
		Liquid (mL/min)	Gas (NmL/min)		
K3011	DN3	2.5-25	3-30 6-60	1/8" NPT* 1/4" NPT	0.6(304)
K3012	DN4	4-40	8-80 25-250 100-1000	1/4" NPT 1/4" BST	
K3013	DN6	8-80	0.18-1.8 NL/min		
		20-200	0.4-4 NL/min		
		35-350	0.8-8 NL/min		
		40-400	1.5-15 NL/min	0.4 (Aluminum)	
		70-700	1.8-18 NL/min		
		0.1-1 L/min	3-30 NL/min		

Specifications

Model	Liquid (mL/min)	Gas (NmL/min)	Female thread	Weight (kg)
K-4011	20-200	0.3-3	1/8" NPT*	0.7(304)
K-4012	30-300	0.5-5	1/4" NPT	
K-4013	50-500	1-10	1/4" NPT	0.5 (Aluminum)
K-4014	0.1-1 L/min	2-20	1/4" BST	

*Special-made products must be confirmed with the factory before ordering.

MODEL CHART					
Example		K-3011	-2.5mL/min-25mL/min	-L	-S -a
Series	The Series K300/K400				Glass Rotameter
Model		K-3011			Please refer to the technical specification, outline dimension
		K-3012			Please refer to the technical specification, outline dimension
		K-3013			Please refer to the technical specification, outline dimension
		K-4011			Please refer to the technical specification, outline dimension
		K-4012			Please refer to the technical specification, outline dimension
		K-4013			Please refer to the technical specification, outline dimension
Flow Range			XXXXXXXX		Select the range in the technical specification table, e.g., "2.5mL/min-25mL/min"
	Medium			A	Gas
Connection Material				L	Liquid
				S	304 stainless steel
Connection				B	Aluminum alloy
				a	1/8"NPT
				b	1/4"NPT
				c	Hose